

Unex solutions in wind energy



www.unex.net

Cable ties **22**



For tying of cables.

Slotted trunking **88**

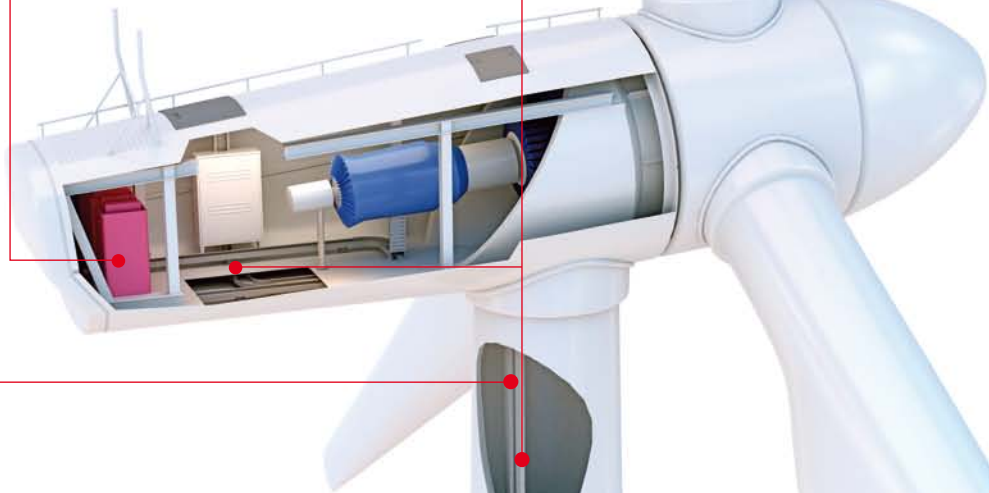


For cable conduction in electrical cabinets.

Insulating cable tray **66**



For cable distribution.



Unex raw materials

U23X

U41X

U63X

By designing and developing our own raw materials, we can offer products with excellent features and higher quality than the standard ones.

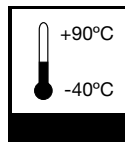
Benefits



Insulating material.



Resistance to corrosion.



Products with wide range of temperatures*.

Certified products



ID. 98171
ID. 84565

The quality of Unex solutions is guaranteed by the strict accomplishment of product and application standards, as well as by obtaining Quality Marks and Approvals*.

*See technical data www.unex.net

Unex is a registered trademark of Unex aparellaje eléctrico, S.L.



Bundesverband
WindEnergie e.V.

Unex, specialist manufacturer in insulating cable management systems



www.unex.net



Unex:
respect for the environment

Service: Our added value

Being a manufacturer enables us to offer excellent service capacity



Our environmental management system complies with the requirements of UNE-EN-ISO 14001: 2004 for the design and commercialization of Unex Systems.

Immediate availability through our world-wide distribution network.

TECHNICAL ASSISTANCE
0711 78 19 35 30
technical.assistance@unex.net

Fusion
Unex Products - Australia
Fusion is the Australian stockist for Unex Cable Management Systems. For more information about Unex products in Australia contact us today.
fusionaus.com