

Ball Check

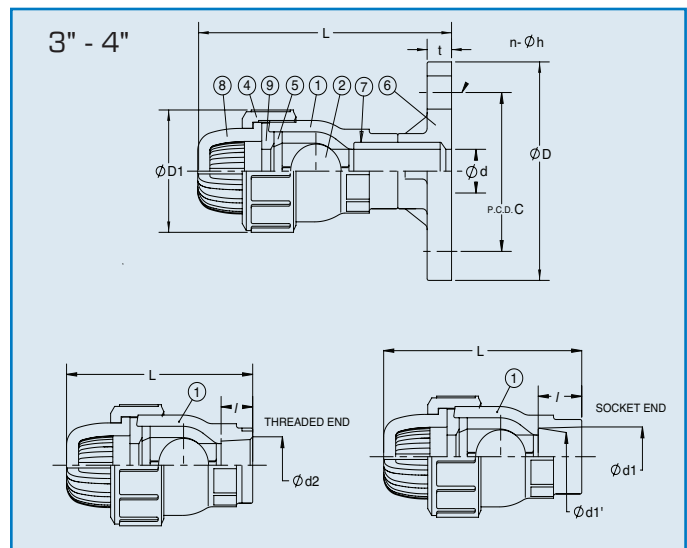
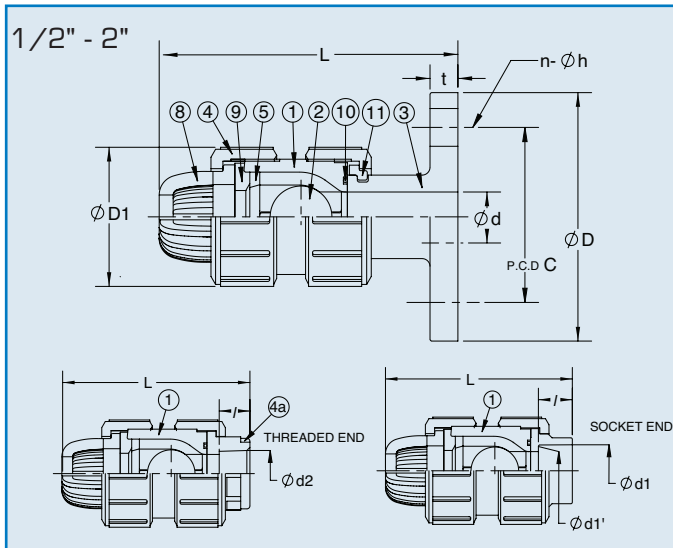
Foot Valve Option

Parts List Foot Valve (Sizes 1/2" – 2")

PARTS			
NO.	DESCRIPTION	PCS.	MATERIAL
1	Body	1	PVC, CPVC, PP, PVDF
2	Ball	1	PVC, CPVC, PP, PVDF
3	End Connector	1	PVC, CPVC, PP, PVDF
4	Union Nut	2	PVC, CPVC, PP, PVDF
5	Stop Ring (A)	1	PVC, CPVC, PP, PVDF
7	Flange	1	EPDM, FKM, PTFE
8	Screen	1	PVC, CPVC, PP, PVDF
9	Seat	1	EPDM, FKM, PTFE
10	O-Ring	2	EPDM, FKM, PTFE
11	Stop Ring (B)*	1	PVDF
4a	Ring	1	304SS

Parts List Foot Valve (Sizes 3" – 4")

PARTS			
NO.	DESCRIPTION	PCS.	MATERIAL
1	Body	1	PVC, CPVC, PP, PVDF
2	Ball	1	PVC, CPVC, PP, PVDF
3	End Connector	1	PVC, CPVC, PP, PVDF
4	Union Nut	2	PVC, CPVC, PP, PVDF
5	Stop Ring (A)	1	PVC, CPVC, PP, PVDF
6	Stub (2)	1	PVC, CPVC, PP, PVDF
7	Flange	1	PVC, CPVC, PP, PVDF
8	Screen	1	PVC, CPVC, PP, PVDF
9	Seat	1	EPDM, FKM, PTFE
4a	Ring	1	304SS



Pressure vs. Temperature -BALL CHECK AND FOOT VALVES (psi, water, non-shock)

NOMINAL SIZE		PVC	CPVC				PP			PVDF			
		30° F 120° F	30° F 120° F	121° F 140° F	141° F 175° F	176° F 195° F	- 5° F 85° F	86° F 140° F	141° F 175° F	- 30° F 140° F	141° F 175° F	176° F 195° F	196° F 210° F
INCHES	mm												
1/2 - 2	15-50	150	150	120	90	60	150	90	60	150	125	110	90
3 - 4	80-100	100	100	90	60	45	75	60	45	100	90	60	45

Dimensions (1/2"– 4") (in.)

NOMINAL SIZE		SOC.	THR'D		FLG.		
			PVC	PVDF	PVC	PVDF	
INCHES	mm	D1	L	L	L	L	
1/2	15	1.89	3.74	3.74	3.62	4.61	4.53
3/4	20	2.36	4.25	4.33	4.21	5.39	5.31
1	25	2.76	4.80	4.84	4.72	5.87	5.79
1-1/2	40	3.78	7.17	7.17	7.05	7.99	7.91
2	50	4.17	7.72	7.83	7.72	8.58	8.50
3	80	5.98	12.09	11.57	11.34	16.1	13.23
4	100	8.27	14.96	14.72	14.41	20.41	16.34

Foot Valve Wt. (lbs.)

NOMINAL SIZE		SOCKET	FLANGED
INCHES	mm		
1/2	15	0.22	0.66
3/4	20	0.44	0.88
1	25	0.66	1.32
1-1/2	40	1.54	3.31
2	50	2.20	3.31
3	80	7.71	11.02
4	100	15.43	23.14

Caution

- Never remove valve from pipeline under pressure.
- Always wear protective gloves and goggles.