

DIMENSIONS TABLE

UNIT : inch

NOMINAL SIZE	d	ANSI CLASS 150					D ₁	L	t	H ₁
		D	C	n	h					
3/4"	20 ^{mm}	0.79	3.88	2.75	4	0.62	3.39	5.51	0.59	3.54
1	25	0.98	4.25	3.12	4	0.62	5.12	6.30	0.63	4.72
1 1/2	40	1.57	5.00	3.88	4	0.62	5.71	7.09	0.71	5.43
2	50	1.97	6.00	4.75	4	0.75	7.09	7.87	0.79	6.46
2 1/2	65	2.56	7.00	5.50	4	0.75	7.87	9.45	0.87	6.61
3	80	3.15	7.50	6.00	4	0.75	8.07	10.24	0.87	6.73
4	100	3.94	9.00	7.50	8	0.75	10.43	11.81	0.94	8.39
5	125	4.92	10.00	8.50	8	0.88	12.99	13.78	0.94	9.76
6	150	5.91	11.00	9.50	8	0.88	14.57	15.75	0.98	11.14
8	200	7.87	13.50	11.75	8	0.88	16.73	19.69	1.18	13.23

NOTE .The shape and appearance of assembly differ a little with nominal size compared to this drawing.

FOR REFERENCE ONLY
ASAHI/AMERICA

No.	DESCRIPTION	No.REQD	MATERIAL	REMARKS
1a	RING	1	STAINLESS STEEL 304	used for size 3/4"
9	BOLT,NUT	-	STAINLESS STEEL 304	used for size 1"-8"
8	O-RING(B)	1	□EPDM	1) In case material of seat is PTFE, material of gasket(A) is PVDF(cushion:EPDM). 2) used for size 3/4"
7	GASKET(B)	1	□PTFE	
5k	O-RING(A) ²⁾	1	□Others()	
5j	SEAT	1		
5i	NUT(B) ³⁾	1		3) used for size 3/4"
5h	BOLT (B) ³⁾	1		4) used for size 2 1/2"- 8"
5g	PIN ⁴⁾	1		5) used for size 1"-8"
5f	NUT(A) ⁵⁾	1		
5e	WASHER ⁵⁾	1		
5d	ARM ⁵⁾	1		
5c	BOLT (A) ⁵⁾	-	□PVC	
5b	SEAT HOLDER	1	□PP	
5a	DISK	1		
4	PLUG	1		
3	SHAFT	1		
2	BONNET	1		
1	BODY	1		
No.	DESCRIPTION	No.REQD	MATERIAL	REMARKS

THIS DRAWING AND ALL INFORMATION HEREON IS THE PROPERTY OF ASAHI/AMERICA. ANY COPYING, REPRODUCTION OR UNAUTHORIZED USE IS FORBIDDEN WITHOUT WRITTEN CONSENT.

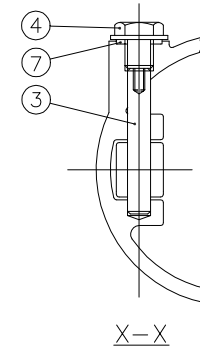
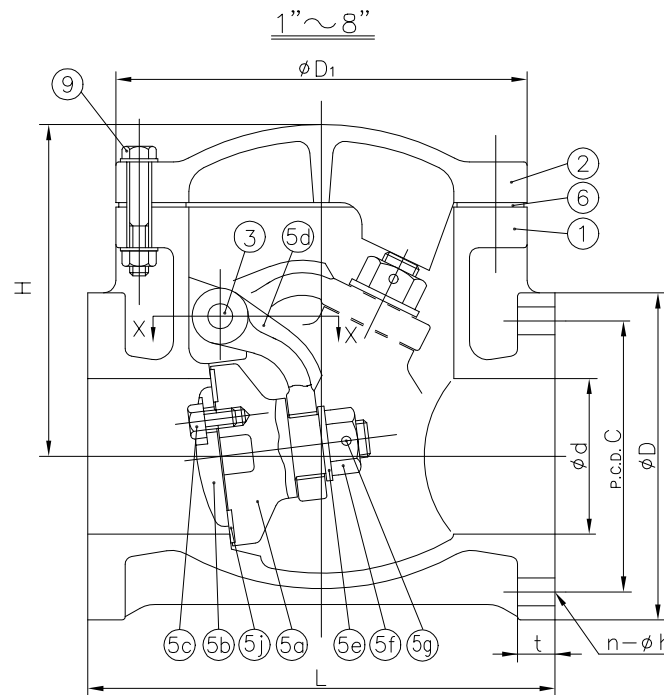
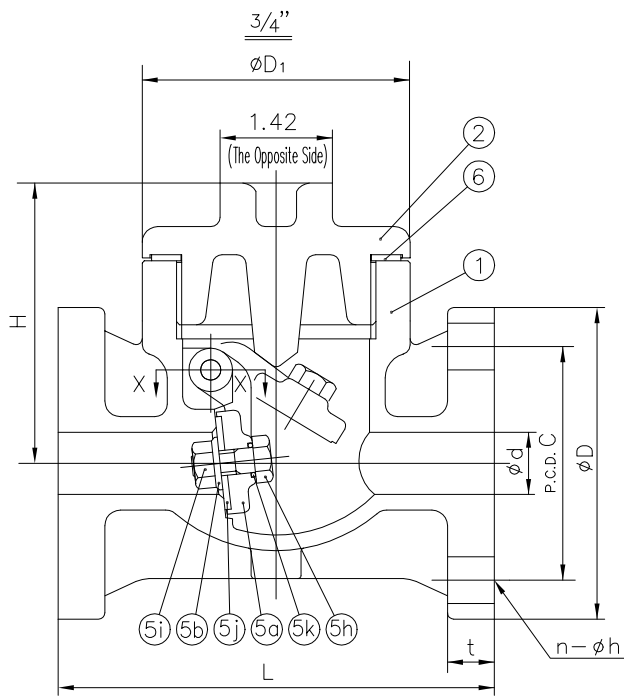
ASAHI/AMERICA
ISO 9001 CERTIFIED
35 GREEN STREET, P.O. BOX 653, MALDEN, MA.



SWING CHECK VALVE
FLANGED END (PVC&PP)
3/4" THRU 8"

	NAME	DATE
DR	KENICHI MIYAZAKI	10/9/03
APPD	DAVE HURLEY	10/9/03
PROD	LEO LESTER	10/9/03
WO#/CO#		
FILE		

SIZE	DWG. NO.	REV
A	0039CH	A
SCALE	NTS	SHEET 1 OF 1



DIMENSIONS TABLE

UNIT : inch

NOMINAL SIZE	d	ANSI CLASS 150					D ₁	L	t	H
		D	C	n	h					
3/4"	20 ^{mm}	0.79	3.88	2.75	4	0.62	3.39	5.51	0.59	3.54
1	25	0.98	4.25	3.12	4	0.62	5.12	6.30	0.63	4.72
1 1/2	40	1.57	5.00	3.88	4	0.62	5.71	7.09	0.71	5.43
2	50	1.97	6.00	4.75	4	0.75	7.09	7.87	0.83	6.46
2 1/2	65	2.56	7.00	5.50	4	0.75	7.87	9.45	0.91	6.61
3	80	3.15	7.50	6.00	4	0.75	8.07	10.24	0.98	6.73
4	100	3.94	9.00	7.50	8	0.75	10.43	11.81	1.02	8.39
5	125	4.92	10.00	8.50	8	0.88	12.99	13.78	1.06	9.76
6	150	5.91	11.00	9.50	8	0.88	14.57	15.75	1.06	11.14
8	200	7.87	13.50	11.75	8	0.88	16.73	19.69	1.34	13.23

NOTE .The shape and appearance of assembly differ a little with nominal size compared to this drawing.



Fusion is an Australian stockist for Asahi/America / Asahi Yukizai Valves. For more information about Asahi Valves in Australia contact us today.

1300 94 1004
fusionaus.com

FOR REFERENCE ONLY
ASAHI/AMERICA

No.	DESCRIPTION	No.REQD	MATERIAL	REMARKS
9	BOLT,NUT	—	STAINLESS STEEL 304	used for size 1"–8"
7	GASKET(B)	1		1) In case material of seat is PTFE, material of gasket(A) is PVDF(cushion:EPDM). 2) used for size 3/4"
6	GASKET(A) ¹⁾	1	□ PTFE □ Others()	
5	5k O-RING ²⁾	1		3) used for size 3/4" 4) used for size 2 1/2"– 8" 5) used for size 1"–8"
	5j SEAT	1		
	5i NUT(B) ³⁾	1		
	5h BOLT (B) ³⁾	1		
	5g PIN ⁴⁾	1		
	5f NUT(A) ⁵⁾	1		
	5e WASHER ⁵⁾	1		
	5d ARM ⁵⁾	1		
	5c BOLT (A) ⁵⁾	—	PVDF	
	5b SEAT HOLDER	1		
5a DISK	1			
4	PLUG	1		
3	SHAFT	1		
2	BONNET	1		
1	BODY	1		
No.	DESCRIPTION	No.REQD	MATERIAL	REMARKS

THIS DRAWING AND ALL INFORMATION HEREON IS THE PROPERTY OF ASAHI/AMERICA. ANY COPYING, REPRODUCTION OR UNAUTHORIZED USE IS FORBIDDEN WITHOUT WRITTEN CONSENT.

ASAHI/AMERICA

ISO 9001 CERTIFIED
35 GREEN STREET, P.O. BOX 653, MALDEN, MA.



SWING CHECK VALVE
FLANGED END (PVDF)
3/4" THRU 8"

	NAME	DATE
DR	KENICHI MIYAZAKI	10/9/03
APPD	DAVE HURLEY	10/9/03
PROD	LEO LESTER	10/9/03
WO#/CO#		
FILE		

SIZE	DWG. NO.	REV
A	0011CH	C
SCALE	NTS	SHEET 1 OF 1