

Insulating cable tray **66**



Research as standard

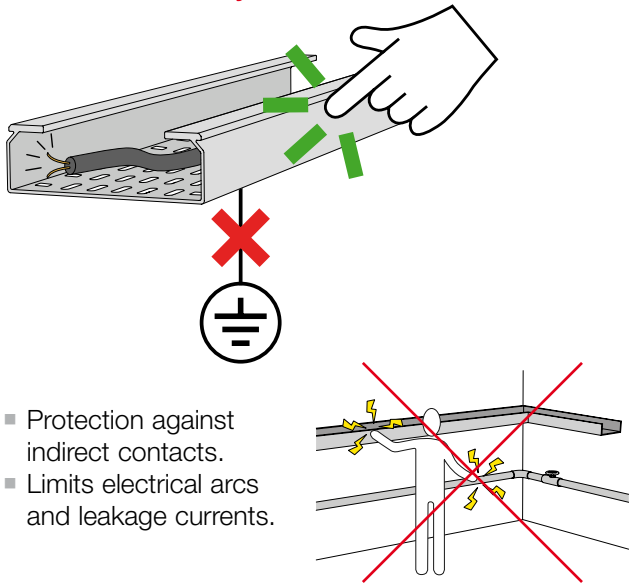


www.unex.net



Insulating cable tray **66**

Electrical safety



- Protection against indirect contacts.
- Limits electrical arcs and leakage currents.

Space, cost & versatility



- Less design and installation time.
- Space saving.
- Easy to modify.
- Easy handling.

Corrosion and outdoor exposure



- No grounding.
- No maintenance.

Product certificates

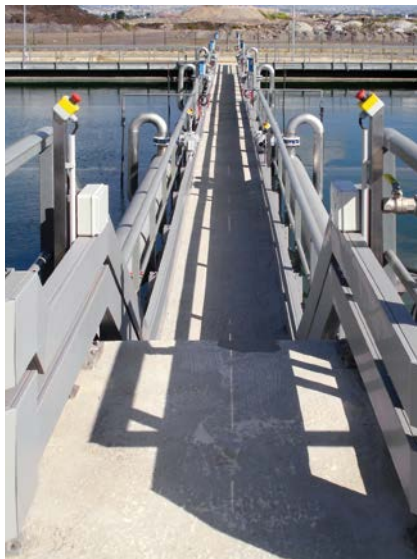


See updated information of each part number on www.unex.net

Applications



Chemical



Water treatment



Renewable energy

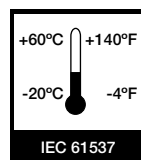
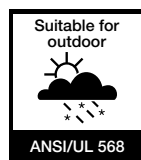
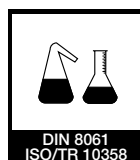
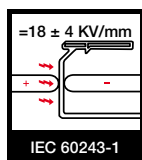


Infrastructures

Main features

Raw material U23X		Cable tray, cover & insulating accessories
2011/65/EU	RoHS Directive Compliance	
ANSI/UL 568 CAN/CSA C22.2 No. 126.2-02	Water absorption	Pass • No dimensional changes greater than 3% • No weight changes greater than 3%
	Dielectric strength	Pass • Without dielectric breakdown
	Weathering	Pass • Retained at least 75% of the original flexural strength
	Combustibility of cable tray assemblies	Pass • Without emission of flaming or glowing or dropping particles that ignite the cotton layer situated below the flame application point
	Flame spread	Pass • Flame spread index ASTM E 84 ≤ 25
DIN 8061 ISO/TR 10358	Chemical resistance	Resistant to the most common: oils, acids, fat acids, alcohols, aliphatic carbon hydrides, hydroxide and saline solutions.

U23X



Weathering & extreme climatology:
For further solutions in applications outside this temperature range, please contact us.

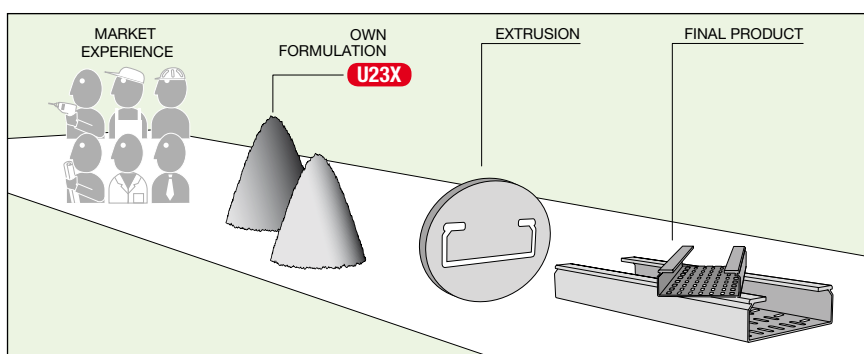
Sizes & Load rating ANSI / UL 568

Cable tray depth in.(mm)	Cable tray width in.(mm)	Part number Ventilated / Non ventilated	Load rating lbs/ft.(Kg/m) Ventilated / Non ventilated	Additional historical NEMA load class (load lbs/ft.)	Test Conditions ANSI/UL 568 1st rev March 11, 2009
2.36 (60)	2.95 (75)	66090 / 66091	12.0 (17.5)	-	Test temperature: Room temperature.
2.36 (60)	3.93 (100)	66100 / 66101	13.3 (19.4)	-	
2.36 (60)	5.90 (150)	66150 / 66151	18.6 (27.1)	-	
2.36 (60)	7.87 (200)	66200 / 66201	24.0 (35.0)	-	Test span: 10 ft. (3 m)
2.36 (60)	11.81(300)	66300 / 66301	30.6 (44.6)	Class 10A (25)	Test method: Method A: Load Before Destruction. (LBD)
2.36 (60)	15.74 (400)	66400 / 66401	36.0 (52.5)	Class 10A (25)	
3.93 (100)	7.87 (200)	66220 / 66221	41.3 (61.7)	Class 10A (25)	
3.93 (100)	11.81(300)	66320 / 66321	86.6 (126.4)	Class 10C (65)	
3.93 (100)	15.74 (400)	66420 / 66421	117.3 (170.8)	Class 10C (65)	
3.93 (100)	19.68 (500)	66520 / 66521	140.2 (204.6)	Class 10D (120)	
3.93 (100)	23.62 (600)	66620 / 66621	124.2 (181,3)	Class 10D (120)	
3.93 (100)	23.62 (600)	66620 / 66621	124.2 (181,3)	Class 10D (120)	

Unex recommends to follow the Safe Working Load (SWL) acc/ IEC 61537: 2006

Sizes (mm)	60x75	60x100	60x150	60x200	60x300	60x400	100x200	100x300	100x400	100x500	100x600
Safe working load (Kg/m) SWL	7,9	10,8	16,6	22,5	33,7	45,6	37,6	57,3	77,2	96,6	116,5
Safe working load (N) SWL	78	105	162	220	330	446	369	561	756	946	1141

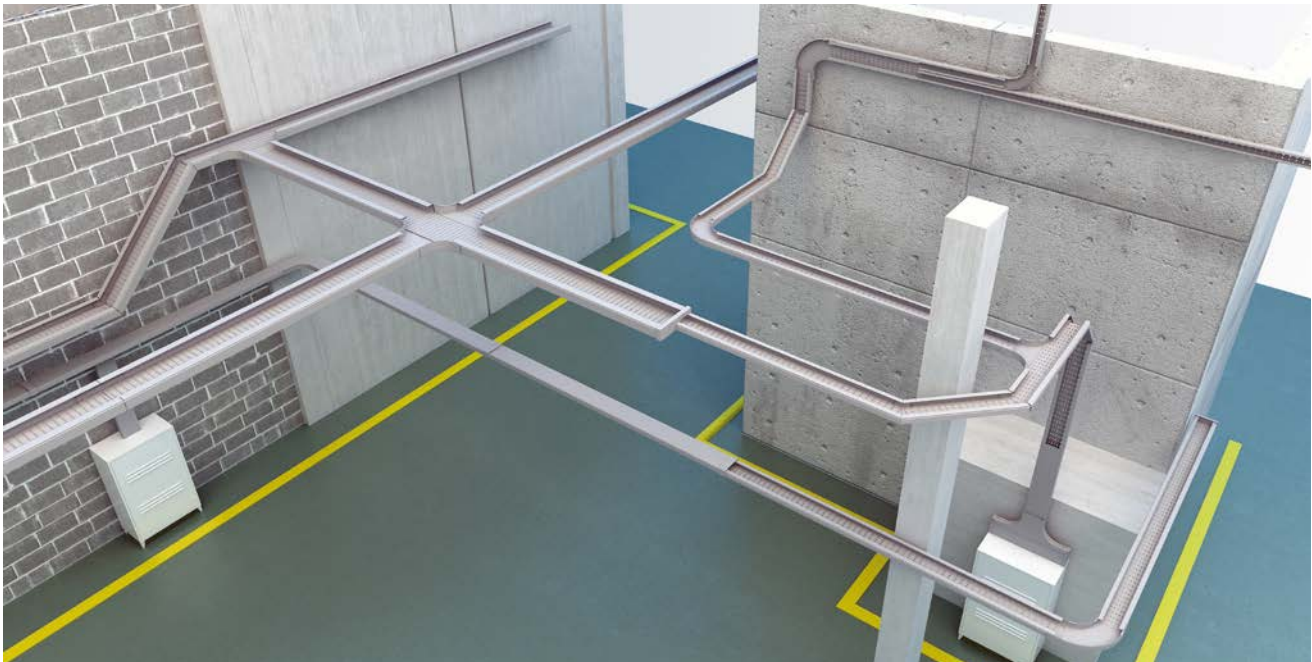
Unex raw materials: Own formulation



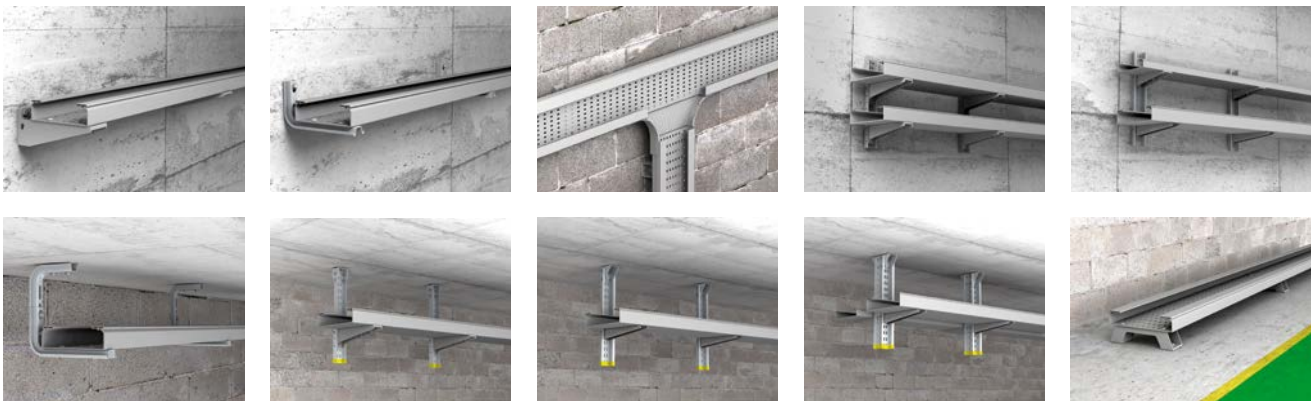
Unex raw materials have been **recognized, certified and approved** by the control agency UL - Underwriters Laboratories (USA), which assures the compliance of all **technical characteristics**.
UL approval for raw material U23X (grey colour). (www.ul.com)

Complete system

Elements for cable conduction



Supporting elements both in steel and in insulating material



Immediate availability, assured by complete stock in our logistic centre



TECHNICAL ASSISTANCE
technical.assistance@unex.net

Germany

Unex Kabelsysteme und -elemente GmbH
 Am Wallgraben 100
 D-70565 Stuttgart (Vaihingen)
 Phone: +49 711 78 19 35 30
 Fax: +49 711 78 19 35 59
 e-mail: stuttgart@unex.net
 Branch office: Ratingen

France

Unex systèmes et éléments, S.A.S.
 Parc Technologique
 3 place Berthe MORISOT
 69791 Saint Priest Cedex
 Phone: +33 4 78 43 69 55
 Fax: +33 4 78 43 71 99
 e-mail: unex@unex.fr
 Branch offices: Aix en Provence, Lyon, Nantes, Paris, Strasbourg, Toulouse

Italy

Unex sistemi ed elementi, srl.
 Viale Enrico Forlanini 23
 20134 Milano
 Phone: +39 02 8732 3153
 e-mail: italia@unex.net

Spain

Unex aparellaje eléctrico, S.L.
 Rafael Campalans, 15-21
 08903 L'Hospitalet de Llobregat
 Barcelona (Spain)
 Phone: +34 93 333 87 00
 Fax: +34 93 333 56 58
 e-mail: international@unex.net
 Branch offices: A Coruña, Barcelona, Bilbao, Gijón, Las Palmas, Madrid, Mallorca, Murcia, Sevilla, Tenerife, Valencia, Valladolid, Zaragoza

R.M. de Barcelona, T.32709, F.81, H. B214578 VAT. ES B62204011

Portugal

Retrica Aparelhagem Eléctrica, Lda.
 Rua Soeiro Pereira Gomes,
 Lote 1, 4º C
 1600-196 Lisbon
 Phone: +351 21 781 64 20
 Fax: +351 21 781 64 29
 e-mail: unex@unex.pt
 Branch office: Porto

Chile

Unex aparellaje eléctrico Chile Ltda.
 Centro Empresas "El Cortijo"
 Av. Américo Vespucio Norte 2680,
 Of. 27
 C.P. 8551378 - Conchalí
 Santiago - Región Metropolitana
 Phone: +56 (2) 2623 49 81
 Fax: +56 (2) 2624 15 73
 e-mail: unex@unex.cl



Our quality management system complies with the requirements of UNE-EN ISO 9001: 2008 for the design, production and commercialization of **Unex Systems**.

Unex aparellaje eléctrico, S.L., as a policy, patents its products. Own design and production. **Unex aparellaje eléctrico, S.L.** does not manufacture for other trademarks.

Unex is a registered trademark of Unex aparellaje eléctrico, S.L.
 © Unex aparellaje eléctrico, S.L., 2015

Unex Products - Australia

Fusion is the Australian stockist for Unex Cable Management Systems. For more information about Unex products in Australia contact us today.

fusionaus.com

The products sold by Unex aparellaje eléctrico, S.L. shall only be installed and used according to the specifications contained in the Catalog. Under no circumstances shall Unex aparellaje eléctrico, S.L. be liable in case of irregular, improper or any other use than the one indicated in the Product specifications. See Technical data: www.unex.net. Technical advice: technical.assistance@unex.net. It is the responsibility of the person in charge of product selection for a specific application to look for the right product, according to the standards applicable in every country. Unex aparellaje eléctrico S.L. disclaims all responsibility due to incorrect use of the product or to unforeseen circumstances.